

**1. Product:**

Manual hydraulic crimping pliers

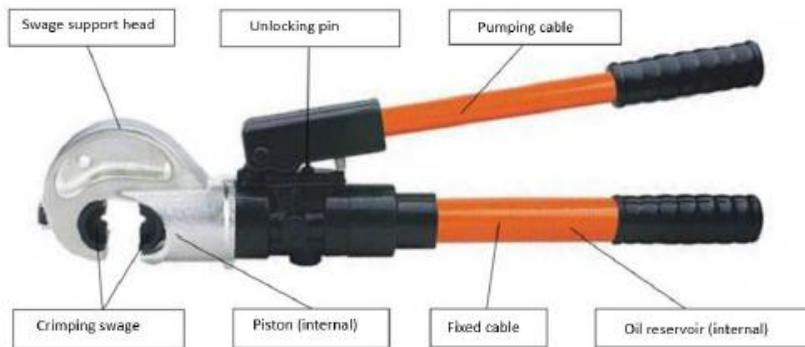
**2. Description:**

It is a tool that has a two-stage pumping system, with rapid advancing, streamlining the crimping process. It has a die holder head made of forged steel, with 180° articulation and fitting compatible with U-type and hexagonal dies, manufactured for use in 12 ton tools.

**3. Application:**

It is a tool developed for crimping connectors, splicing sleeves and general manufacturing terminals.

**4. Illustration:**



\*Illustrative image

## CONDUCTOR STRIPPER

### FVR BXQ-Z-40A

Tool used to remove the polymeric protective cover on protected copper and/or aluminum conductors, used in electricity distribution networks, without damaging the conductors. Suitable for shielded conductors with a diameter ranging from 14 to 40 mm, with a coating thickness of up to 6 mm.

The cutting blade is made of alloy steel, where it is sharpened after being ground and heat treated. It is an easy-to-remove component (for replacement or sharpening) and its positioning in the tool facilitates the operation of stripping the conductor, allowing the operation to be visualized.

The stripping operation can be carried out at the ends and in the middle of the conductor, simply positioning the tool in the desired location. It is an easy-to-use tool and guarantees an excellent quality of finish.


Approx. weight: 1.00 kg (2.20 lb)



# CUTTING WIRES

A tool used for quickly and safely disconnecting consumers, cutting illegal connections, and in situations of broken conductors from the ground, attached to the hot stick.

With precise and fast cutting wires designed to cut aluminum, copper and multiplexed cables, the Cutting Wires allows work to be done more efficiently and safely.

	Catalog Reference	Description	Cutting Opening (mm)	Cut Conductors Up To	Approx. Weight	
					kg	lb
	FLV17844-1	Universal tool head for cutting wires	15	35 mm <sup>2</sup> 2 AWG	0.30	0.66

The Lever-operated Wires Cutter model features an insulating protective cover for the blades, RITZGLAS® insulating tube (nominal voltage: 1 kV), an insulating actuating rod, aluminum head with universal fitting, a lever for operation, and a pull rope.

	Catalog Reference	Description	Cutting Opening (mm)	Cut Conductors Up To	Approx. Weight	
					kg	lb
	FLV31413-1	Lever-operated wires cutter	13	35 mm <sup>2</sup> 2 AWG	1.17	2.58

## TEMPORARY CROSSARM BIG JUMPER

The big jumper temporary crossarm is designed for emergency interventions or power supply to temporary consumers for a specified period.

Constructed with Ø 64 mm x 1.30 m long RITZGLAS® tube, it has three fuse switches with a maximum current capacity of 100 A, a pole mounting system with two steel screws and a wing nut. It can be used on installations up to 27 kV.



Catalog Reference	Description	Approx. Weight	
		kg	lb
FLV13033-1	A big jumper temporary crossarm provided with three temporary fuse switches	22.60	49.80



FLV13033-1

## RUBBER INSULATING GLOVES AND SLEEVES

### Rubber Insulating Glove

Insulating glove made of natural and synthetic rubber which brings better flexibility in the glove. Type II glove, resistant to ozone and halogenated, thus avoiding the use of talc in its use.

The glove is designed to protect the electrician's hand, wrist, and forearm against electrical discharges, allowing free movement of the fingers.



### Rubber Insulating Sleeve

Rubber insulating sleeves are specially produced as electrical insulators for workers in the electrical sector, aiming to protect the arms and forearms.

The sleeves are made of high quality elastomeric compound and meet ASTM D1051/NBR 10623 Standard. They have straps and buttons and are sold in medium and large sizes. Available in black and orange colors.



## FLEXIBLE COVER FOR CONDUCTORS

Cover for conductors manufactured in orange insulating flexible rubber and in accordance with ASTM D1050 standard requirements. Used as a portable safety device designed to cover exposed energized power lines and to protect electricians from accidental touching and closing circuits during distribution network maintenance.

This cover line has ozone and ultraviolet rays exposure-resistant material (TYPE II), developed for several voltage classes, conductor diameters and lengths.

The cover assembly enjoys the rubber's natural tendency of grabbing and squeezing through compression. The angled end grooves facilitate sliding between covers for installation, but prevent separation during operation. In order to disengage, the operator should only squeeze the rubber on each side.



### STYLE A (without nozzle)

Has grooves on its ends for placing and securing nozzles from Style B covers, which aid and ensure the required adherence to prevent sliding during interventions.



### STYLE B (with nozzle)

Has grooves on one of its ends and a nozzle on the other for placing and securing, which aid and ensure the required adherence to prevent sliding during interventions.

**35 kV TEMPORARY JUMPER  
RUBBER GLOVE INSTALLATION WITH CLAMP FLV30339-2**



Catalog Reference	Cable Size (AWG) Type II	Clamp Connection Range		Overall Length (m)	Rated Current Cap. (A)	Approx. Weight	
		Minimum	Maximum			kg	lb
FLV30765-2	1/0	#6 Copper Ø 4 mm	954 ACSR Ø 31mm	3.70	250	6.70	14.77
FLV30765-3	2/0					7.80	17.20
FLV30765-4	4/0					10.20	22.49

**35 kV TEMPORARY JUMPER  
RUBBER GLOVE INSTALLATION WITH CLAMP FLV30339-1**



Catalog Reference	Cable Size (AWG) Type II	Clamp Connection Range		Overall Length (m)	Rated Current Cap. (A)	Approx. Weight	
		Minimum	Maximum			kg	lb
FLV30994-2	1/0	#6 Copper Ø 4 mm	954 ACSR Ø 31mm	3.70	250	6.70	14.77
FLV30994-3	2/0					7.80	17.20
FLV30994-4	4/0					10.20	22.49

## INSULATING MODULAR SCAFFOLD

Equipment required for interventions in high and extra-high voltage electrical installations, mainly substations.

It provides a condition of access and positioning to the electrician at heights necessary for the most diverse types of bare-hand and hot-stick works. The development of new components has greatly expanded the mounting options for the insulating scaffold. It also allowed compliance with the NR-18 standard requirements (brazilian standard).

Made of lightweight, interchangeable, snap-on parts, assembly is easy, simple, and quick. It can also be performed by only two electricians, without requiring additional tools.

Its structure is made with RITZGLAS® tubes, with electrical and mechanical properties in accordance with the IEC-60855 and ASTM F 711 standards. So it can be used in energized installations up to 800 kV, ensuring full electrical insulation and a rated working capacity of up to 300 daN (660 lb) at the center of the platform.



## VTT Reinforced Model with Sleeve

This triangular cross-section telescopic hot stick model has sleeves which increases mechanical strength, with considerable reduced flexibility for situations where increased mechanical stress is required.

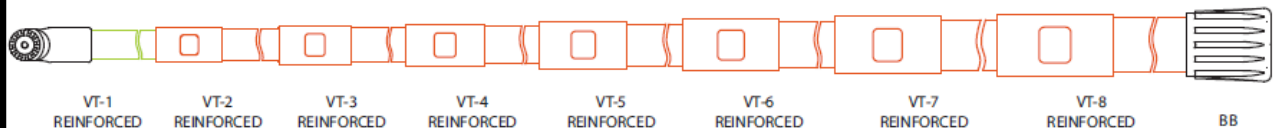
Either section may be supplied separately if replacement is required.



Reinforcement rings for the pins's windows

### REINFORCED MODEL WITH SLEEVE

Catalog Reference	Qty. of Section	Retracted Length (m)	Extended Length (m)	Ø Base Section (mm)	Bag Reference (optional)	Approx. Weight	
						kg	lb
VTT 29537-1/2	2	1.38	2.39	33	SLT-2/3	1.30	2.90
VTT 29537-1/3	3	1.50	3.55	37	SLT-4/5	1.80	4.00
VTT 29537-1/4	4	1.62	4.76	41	SLT-6/7	2.50	5.50
VTT 29537-1/5	5	1.76	6.00	45	SLT-8/9	3.20	7.10
VTT 29537-1/6	6	1.88	7.30	49	VTT17182-G05	4.00	8.90
VTT 29537-1/7	7	2.00	8.63	52	VTT17182-G06	4.90	10.90
VTT 29537-1/8	8	2.11	10.00	56	VTT17182-G07	6.10	13.50

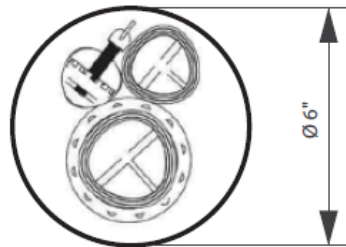


### VTT for Motorcycle Model

Designed for packaging and transport in a motorcycle trunk, in which divided into three sections of 3 elements each, do not exceed the length of 1200mm.

#### VTT FOR MOTORCYCLE MODEL

Catalog Reference	Qty. of Section	Retracted Length (m)	Extended Length (m)	Ø Base Section (mm)	Approx. Weight	
					kg	lb
VTT 28790-1/9	9	1.44	8.94	60	5.50	12.10





**1. Product:**

Grip-all Clampsticks with plastic handle.

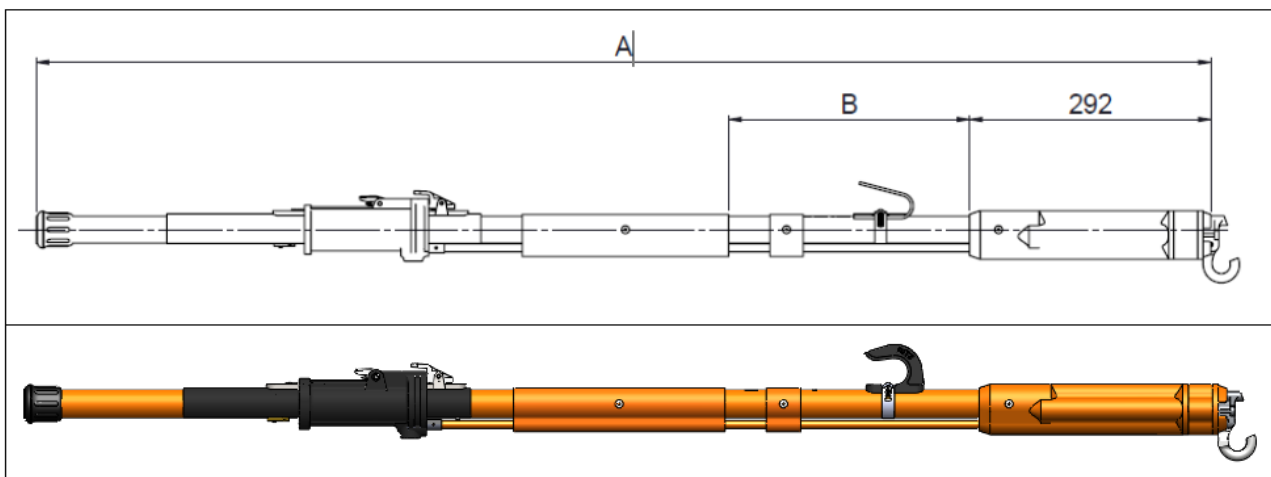
**2. Description:**

Stick made of insulating fiberglass tube impregnated with epoxy resin RITZGLAS®. It has a Ø3/8" rod drive in insulating material, retractable hook in stainless steel, operable by a handle in plastic material, adjustable through a rack system with safety locks. Its head is also made of resistant plastic material, bringing lightness and protection against short circuits promoted by accidental touches. Meets the requirements of the IEC60832-1 standard. It can be supplied with a green canvas bag with a handle, for transport and storage (optional accessory purchased separately).

**3. Application:**

Mainly used in the installation and removal of live line clamps, temporary grounding sets, live line protective covers, measuring instruments, among others. Its application can be expanded by using it together with the universal adapter RM1867 (optional accessory purchased separately).

**4. Illustration:**



## RITZ TESTER

A portable device for periodic electrical testing of hot line insulated poles, hot sticks and poles, hot line ladders and insulated scaffolds that detects the leakage current caused by moisture, cracks, and impurities on or inside the insulated poles.

Operation is easy and simple, and only requires a single operator, through the direct contact of the Ritz Tester with the surface to be tested, indicating a "PASS" or "FAIL" graph, according to the leakage current of the tested element.

This instrument simulates the test specified in the ASTM F-711 standard. A test carried out by the Ritz Tester offers a guarantee that the equipment is ready for use. It can not be used as a reporting test.

There are four versions available:

**LS-80** | **LS-81** | **RT-110** | **RT-220**  
(standard sizes) (reduced sizes)

These models perform electrical tests corresponding to an applied voltage of 100 kV in 30 cm according to the standard. To perform the test, the stick must be supported horizontally on two easels.

**LS-80/WD** | **LS-81/WD**

These models can be used for electrical tests on wet and dry sticks through a key switch on the front panel of the instrument. In the wet function, an electrical test corresponding to a voltage of 75 kV in 30 cm is reproduced. And the dry function corresponds to a voltage of 100 kV in 30 cm.



LS-80



RT-110

Catalog Reference	Description	Dimensions (mm)	Aprox. weight			
			Instrument		Case	
			kg	lb	kg	lb
LS-80	For 110 V	200 x 365 x 310	5.30	11.68	5.20	11.46
LS-81	For 220 V					
RT-110	Reduced model, 110 V	155 x 250 x 250	3.40	7.50	2.80	6.17
RT-220	Reduced model, 220 V					
LS-80/WD	WET/DRY, for 110 V	200 x 365 x 310	5.30	11.68	5.20	11.46
LS-81/WD	WET/DRY, for 220 V					

Ritz Ferramentas Ltda.

+55 31 2125 4000

Rod. BR 381, km 488

32681-200 - Betim - MG - Brasil

[www.ritzbrasil.com](http://www.ritzbrasil.com)



**Ritz Ferramentas Ltda.**  
+55 31 2125 4000  
Rod. BR 381, km 488  
32681-200 - Betim - MG - Brasil  
[www.ritzbrasil.com](http://www.ritzbrasil.com)